

**Handrail to  
Newel Post  
Fixing Kit**  
Fitting  
Instructions



**Scan to  
watch our  
installation  
video**

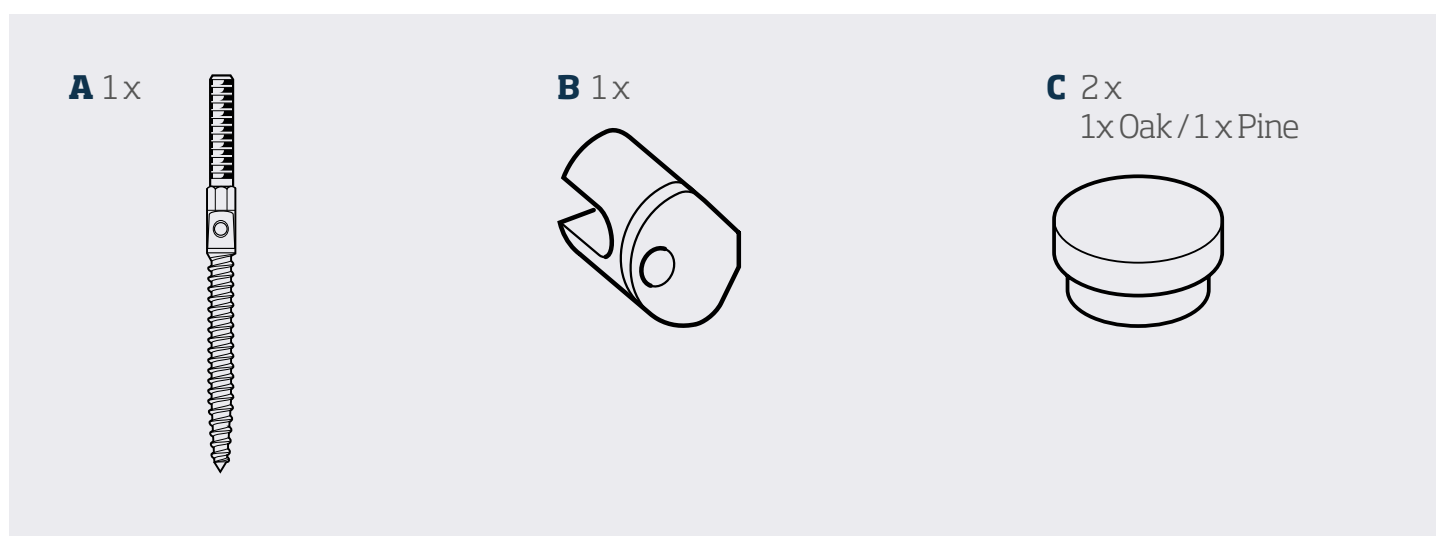


# Important information

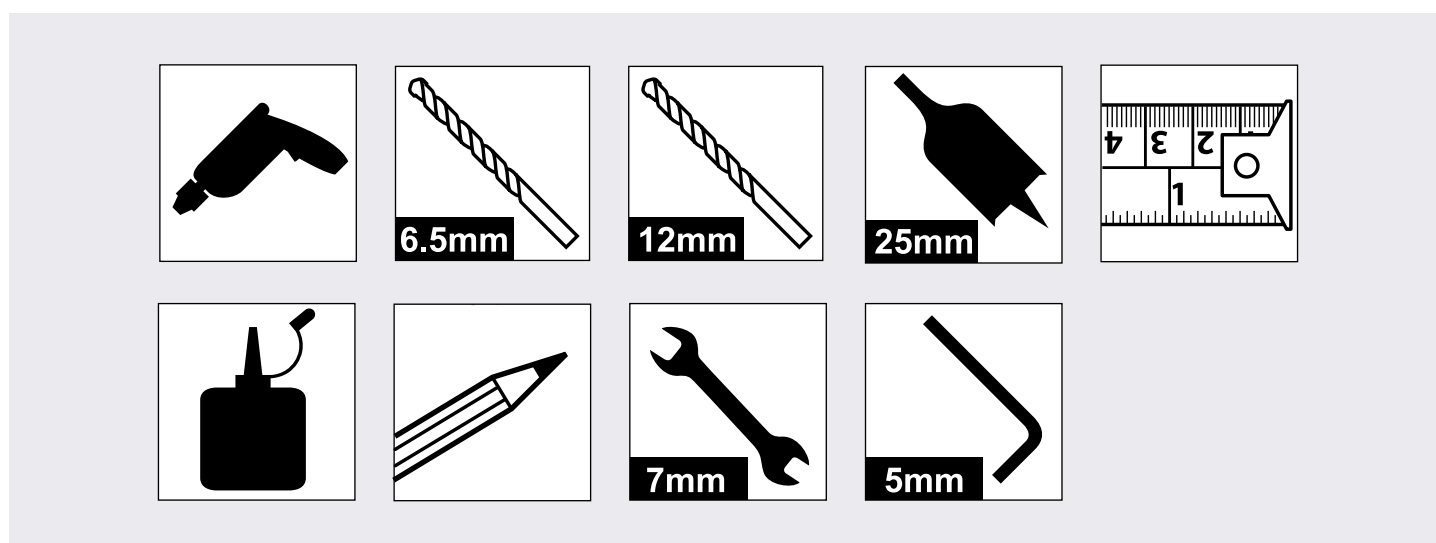
All components should be inspected BEFORE installation commences for any damage and to check all your items are correct before installation. While care is taken to match our engineered timber products, timber is a natural product where the colour, grain structure, can vary.

While we do everything possible to ensure the information contained within these fitting instructions are correct, they are only a general guide, every situation is different. Please read through the fitting instruction fully before commencing any fitting, Cheshire Mouldings will not be held responsible for any mistakes made through incorrect fitting. You will need to take extra care when installing pre-finished components and some touching up will undoubtedly be necessary around the cut areas.

## Components

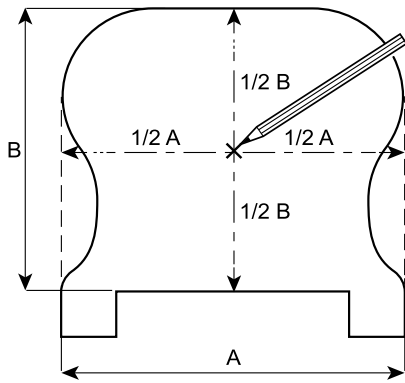


You will need

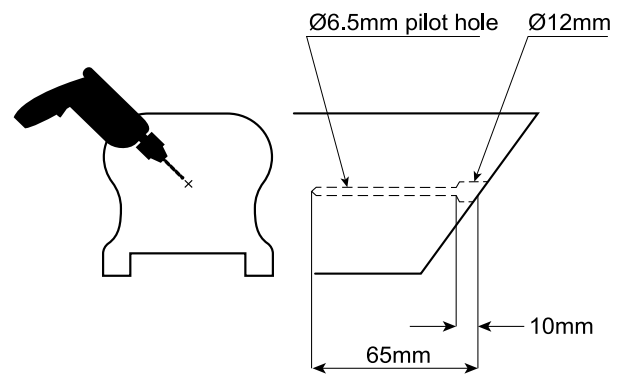


Scan to watch our installation video

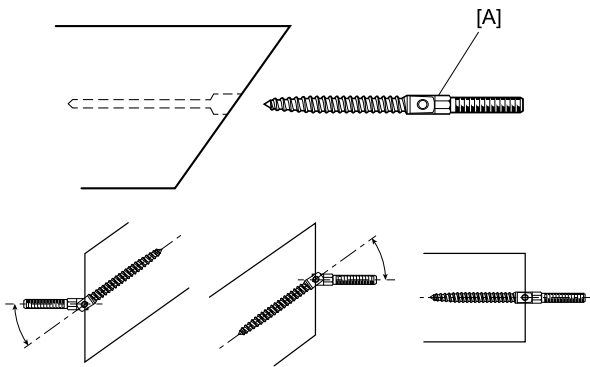


**Fig.1**

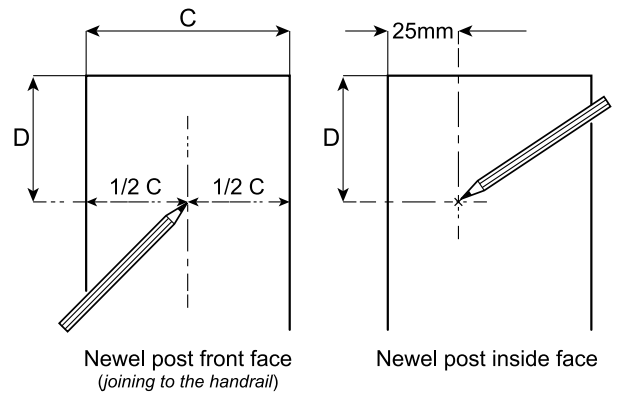
Once the handrail has been cut to the required length and at the desired angle, measure and mark the centre of the handrail. It is critical these measurements are correct to ensure an accurate fit.

**Fig.2**

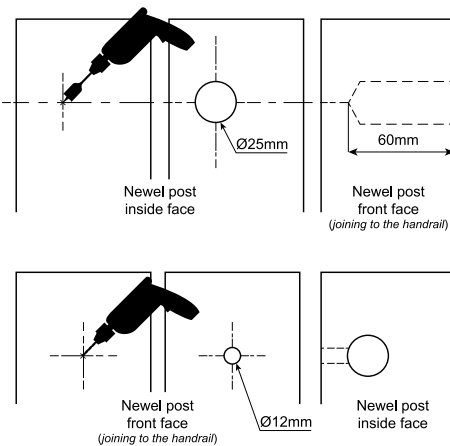
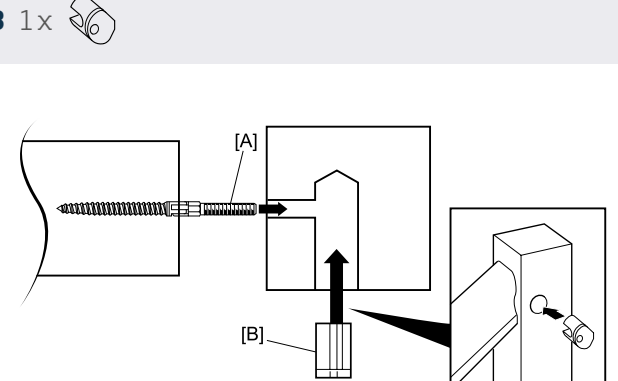
Drill and insert the self tapping thread.

**Fig.3****A** 1x

Use a 7mm spanner to insert (A) to the centre of the knuckle section ensuring hinge section can move freely.

**Fig.4**

Measurement 'D' will be determined by the required height of the handrail.

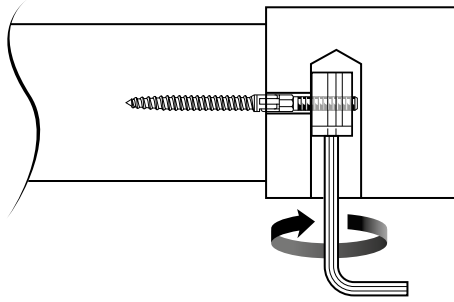
**Fig.5****Fig.6****B** 1x

**Scan to watch our installation video**

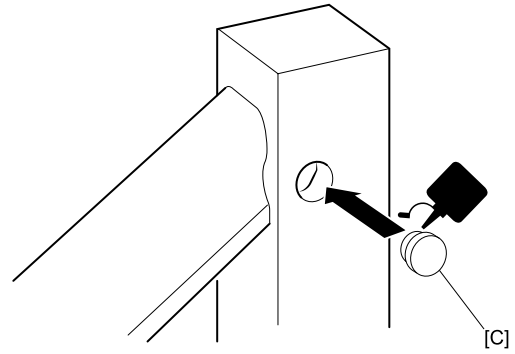
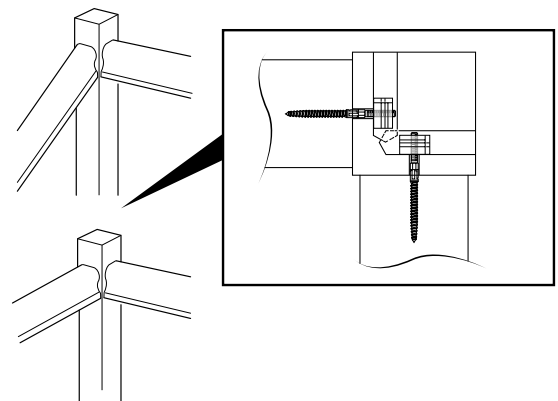
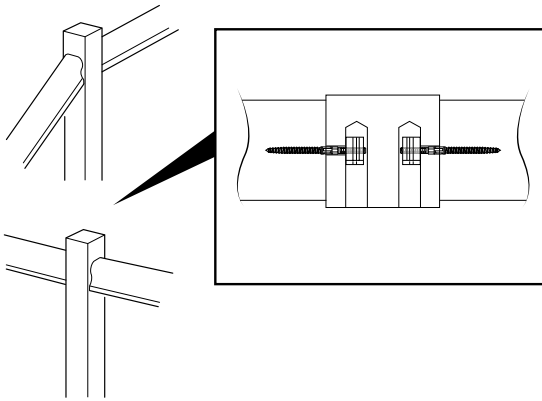


**Fig.7**

Ensure the handrail is securely fastened to the newel post

**Fig.8**

**C** 1x

**Fig.9**

For the permutations above, follow steps 1 through to 5 to add further fastenings.



Check the pack and make sure all the components are included, if not call the Helpline on **0800 085 3475** and our team will get things sorted. When you are ready to start, make sure you have the right tools to hand. Don't rush, read the instructions first and run through the sequence before you begin. Assembly should be done in the stages shown in the drawings.

**Scan to watch our installation video**





CHESHIRE  
**mouldings**  
**TRADE**

Technical Helpline:  
**Freephone**  
**0800 085 3475**



**Scan to watch our installation video**

